

27 LED Horticultural PowerFloods

IHF-xx27-xxxx-SC2x1.

Product Overview

IHS PowerFloods are ideal for large area illumination in horticultural lighting. Size (L x W x H): 180mm x 180mm x 7mm with mounting holes using M3 screws allows easy installation.

Available with JST PH type connectors.

In our portfolio we have 3 types of PowerFloods available;

N3535: Industry standard 3535 package with a ceramic substrate for superior reliability at higher temperatures.

UVA technology with offerings at 385, 395, 405 and 415nm.

Current range from 100 to 1000mA

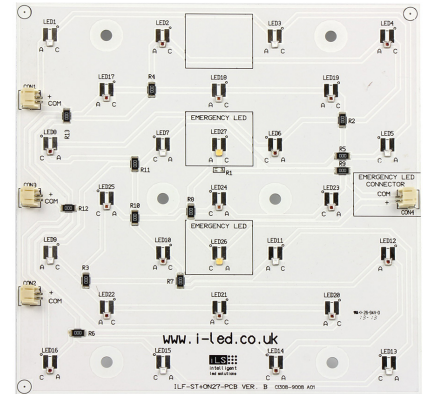
OSLON® SSL: OSLON® SSL delivers the high efficacy that is necessary for professional indoor and outdoor lighting. The ceramic based package with its superior corrosion robustness addresses perfectly the needs for long lifetime applications.

Current range from 100 to 1000mA

OSLON Square: OSRAMs most compact 2W high power LED with extremely low thermal resistance, remarkable high efficiency, high reliable and superior corrosion robustness.

Current range from 200 to 1800mA

Many other wavelengths are available, such as IR, so if you don't see the wavelength value you are looking for, please ask.



Accessories Designed for the PowerFlood

Heat Sink kits with pre-tapped screw holes and mounting screws. They also come with Thermal Interface Material (TIM) attached to the top surface and mounting screws. Available in Black.



IHS have produced a range of High-performance, cost effective Thermal Interface Materials (TIM) to perfectly match their standard products.

Our product fills the air pockets between the two surfaces, forming a continuous layer to conduct heat away from the LED to the heatsink. As you'd imagine, this is why it's called thermal interface material.

IHS offer TIM in three options - double sided adhesive, single sided adhesive and no adhesive.



This range of connection cables from IHS utilise a JST PH type connector for either power input or linking floods.

Select from our range of IP rated AC/DC LED drivers suitable for use with our range of LED engines. All tried and tested ready to plug and play...



The majority of the products in this flyer is available for sale through RS. If you require small quantities please go to their website to check their stock situation.

Product Options

IHS Part Number	Description	Typical Current mA	240-790nm Total radiometric flux	PAR 400-700nm PPF $\mu\text{mol/s}$	PAR 360-780nm PPF $\mu\text{mol/s}$
IHF-XO27-S380-SC221.	TSLC N3535U 27 PowerFlood UV 385nm	350	11124 mW	1.92	35.88
IHF-XO27-S390-SC221.	TSLC N3535U 27 PowerFlood UV 395nm	350	12204 mW	11.51	40.36
IHF-XO27-S400-SC221.	TSLC N3535U 27 PowerFlood UV 405nm	350	13338 mW	37.61	45.44
IHF-XO27-S410-SC221.	TSLC N3535U 27 PowerFlood UV 415nm	350	13338 mW	44.12	46.41
IHF-OM27-DEBL-SC221.	OSLON 120 27 PowerFlood Deep Blue 445nm	350	19170 mW	72.28	72.39
IHF-OW27-BLUE-SC221.	OSLON 150 27 PowerFlood Blue 465nm	350	15542.28	60.44	60.55
IHF-OM27-TRGR-SC221.	OSLON 120 27 PowerFlood True Green 519nm	350	8517 lm	37.28	37.28
IHF-OW27-YELL-SC221.	OSLON 150 27 PowerFlood Yellow 594nm	350	4856 lm	24.03	24.03
IHF-OM27-RDOR-SC221.	OSLON 120 27 PowerFlood Amber 617nm	350	13643 lm	71.06	71.06
IHF-OW27-RED1-SC221.	OSLON 150 27 PowerFlood Red 625nm	350	11991 lm	63.17	63.18
IHF-OM27-HYRE-SC221.	OSLON 120 27 PowerFlood Hyper Red 656nm	350	13500 mW	73.64	73.86
IHF-OM27-FRED-SC221.	OSLON 120 27 PowerFlood Far Red 730nm	350	8505 mW	7.06	50.94
IHF-OW27-HW90-SC221.	OSLON 150 27 PowerFlood Hot White 2700K 90 CRI	350	8682 lm	39.74	43.30
IHF-OW27-WM80-SC221.	OSLON 150 27 PowerFlood Warm White 3000K 80 CRI	350	11354 lm	51.79	55.56
IHF-OW27-QZ90-SC221.	OSLON 150 27 PowerFlood Quartz White 3500K 90 CRI	350	9369 lm	42.35	45.38
IHF-OW27-NW80-SC221.	OSLON 150 27 PowerFlood Neutral White 4000K 80 CRI	350	9500mW	43.22	44.76
IHF-OW27-WH80-SC221.	OSLON 150 27 PowerFlood White 5000K 80 CRI	350	12549 lm	55.42	57.84
IHF-OW27-UL70-SC221.	OSLON 150 27 PowerFlood Ultra White 6500K 70 CRI	350	13275 lm	57.56	59.14
IHF-OG27-DEBL-SC221.	OSLON Square 3rd Gen 27 PowerFlood Deep Blue 445nm	700	33561 mW	126.55	126.73
IHF-OG27-HYRE-SC221.	OSLON Square 3rd Gen 27 PowerFlood Hyper Red 656nm	700	23625 mW	128.86	129.25
IHF-OG27-HW90-SC221.	OSLON Square 3rd Gen 27 PowerFlood Hot White 2700K 90 CRI	700	15145 lm	69.32	75.53
IHF-OG27-WM80-SC221.	OSLON Square 3rd Gen 27 PowerFlood Warm White 3000K 80 CRI	700	19827 lm	90.43	97.02
IHF-OG27-QZ90-SC221.	OSLON Square 3rd Gen 27 PowerFlood Quartz White 3500K 90 CRI	700	16395 lm	74.11	79.41
IHF-OG27-NW80-SC221.	OSLON Square 3rd Gen 27 PowerFlood Neutral White 4000K 80 CRI	700	20350mW	92.62	95.91
IHF-OG27-WH80-SC221.	OSLON Square 3rd Gen 27 PowerFlood White 5000K 80 CRI	700	21961 lm	96.98	101.22
IHF-OG27-UL70-SC221.	OSLON Square 3rd Gen 27 PowerFlood Ultra White 6500K 70 CRI	700	23277 lm	100.92	103.69

For further information please contact IHS

The values contained in this data sheet can change due to technical innovations. Any such changes will be made without separate notification.

Intelligent Horticultural Solutions is a division of Intelligent LED Solutions, focusing on providing LED solutions to the rapidly evolving and highly important horticultural lighting market.